



Micro Commercial Components

Micro Commercial Components  
 20736 Marilla Street Chatsworth  
 CA 91311  
 Phone: (818) 701-4933  
 Fax: (818) 701-4939

**2N2222**  
**2N2222A**

## Features

- High current (max.800mA)
- Low voltage (max.40V)
- Lead Free Finish/RoHS Compliant(Note 1) ("P" Suffix designates RoHS Compliant. See ordering information)

## Maximum Ratings

Symbol	Rating	Rating	Unit
V <sub>CEO</sub>	Collector-Emitter Voltage	2N2222	30
		2N2222A	40
V <sub>CBO</sub>	Collector-Base Voltage	2N2222	60
		2N2222A	75
V <sub>EBO</sub>	Emitter-Base Voltage	2N2222	5.0
		2N2222A	6.0
I <sub>C</sub>	Collector Current (DC)	800	mA
I <sub>CM</sub>	Peak Collector Current	800	mA
I <sub>BM</sub>	Peak Base Current	200	mA
T <sub>J</sub>	Operating Junction Temperature	-55 to +150	°C
T <sub>STG</sub>	Storage Temperature	-55 to +150	°C

## Thermal Characteristics

Symbol	Rating	Max	Unit
P <sub>tot</sub>	Total power Dissipation	500	mW
	T <sub>A</sub> ≤ 25°C	1.2	W
	T <sub>C</sub> ≤ 25°C		
R <sub>JC</sub>	Thermal Resistance, Junction to Case	146	K/W
R <sub>JA</sub>	Thermal Resistance, Junction to Ambient	350	K/W

## Electrical Characteristics @ 25°C Unless Otherwise Specified

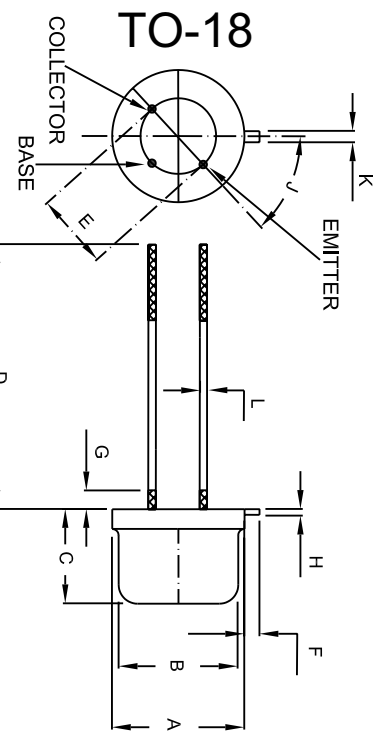
Symbol	Parameter	Min	Max	Units
--------	-----------	-----	-----	-------

### OFF CHARACTERISTICS

I <sub>CBO</sub>	Collector cut-off current (V <sub>CB</sub> =50Vdc, I <sub>E</sub> =0)	2N2222	---	10	nAdc
	(V <sub>CB</sub> =50Vdc, I <sub>E</sub> =0, T <sub>A</sub> =150°C)		---	10	uAdc
	(V <sub>CB</sub> =60Vdc, I <sub>E</sub> =0)	2N2222A	---	10	nAdc
	(V <sub>CB</sub> =60Vdc, I <sub>E</sub> =0, T <sub>A</sub> =150°C)		---	10	uAdc
I <sub>EBO</sub>	Emitter Cut-off current (I <sub>C</sub> =0, V <sub>EB</sub> =3Vdc)		---	10	nAdc
h <sub>FE</sub>	DC Current Gain (I <sub>C</sub> =0.1mAdc, V <sub>CE</sub> =10Vdc)		35		
	(I <sub>C</sub> =1.0mAdc, V <sub>CE</sub> =10Vdc)		50		
	(I <sub>C</sub> =10mAdc, V <sub>CE</sub> =10Vdc)		75		
	(I <sub>C</sub> =150mAdc, V <sub>CE</sub> =1.0Vdc)*		50		
	(I <sub>C</sub> =150mAdc, V <sub>CE</sub> =10Vdc)*		100	300	
h <sub>FE</sub>	DC Current Gain (I <sub>C</sub> =500mAdc, V <sub>CE</sub> =10Vdc) *	2N2222	30	---	
		2N2222A	40	---	

Notes:1.High Temperature Solder Exemption Applied, see EU Directive Annex 7.

## NPN Switching Transistors



DIM	INCHES		MM		NOTE
	MIN	MAX	MIN	MAX	
A	.209	.230	5.309	5.842	Φ
B	.178	.195	4.521	4.953	Φ
C	.170	.210	4.318	5.334	
D	.50	----	12.7	----	
E	.100		2.54		ΦTYP
F	.028	.048	.7112	1.219	
G	----	.050	----	1.27	
H	.009	.031	0.229	0.787	
J	44°	46°	44°	46°	
K	.036	.046	0.914	1.168	
L	.016	.021	0.406	0.533	

# 2N2222, 2N2222A

Symbol	Parameter	Min	Max	Units	
<b>ON CHARACTERISTICS*</b>					
V <sub>CE(sat)</sub>	Collector-Emitter Saturation Voltage <sup>8</sup> (I <sub>C</sub> =150mA, I <sub>B</sub> =15mA) (I <sub>C</sub> =500mA, I <sub>B</sub> =50mA)	2N2222	---	400	mVdc
			---	1.6	Vdc
V <sub>CE(sat)</sub>	Collector-Emitter Saturation Voltage* (I <sub>C</sub> =150mA, I <sub>B</sub> =15mA) (I <sub>C</sub> =500mA, I <sub>B</sub> =50mA)	2N2222A	---	300	mVdc
			---	1.0	Vdc
V <sub>BE(sat)</sub>	Base-Emitter Saturation Voltage * (I <sub>C</sub> =150mA, I <sub>B</sub> =15mA) (I <sub>C</sub> =500mA, I <sub>B</sub> =50mA)	2N2222	---	1.3	Vdc
			---	2.6	Vdc
V <sub>BE(sat)</sub>	Base-Emitter Saturation Voltage* (I <sub>C</sub> =150mA, I <sub>B</sub> =15mA) (I <sub>C</sub> =500mA, I <sub>B</sub> =50mA)	2N2222A	0.6	1.2	Vdc
			---	2.0	Vdc

### SMALL-SIGNAL CHARACTERISTICS

C <sub>OB</sub>	Output Capacitance (V <sub>CB</sub> =10Vdc, I <sub>E</sub> =I <sub>E</sub> =0, f=1.0MHz)		---	8.0	pF
f <sub>T</sub>	Transition Frequency (V <sub>CE</sub> =20Vdc, I <sub>C</sub> =20mA, f=100MHz)	2N2222	250	---	MHz
		2N2222A	300	---	MHz
NF	Noise Figure (V <sub>CE</sub> =5.0Vdc, I <sub>C</sub> =200uA, R <sub>s</sub> =2.0KOHM, f=1.0kHz, B=200Hz)	2N2222A	---	4.0	dB

### SWITCHING CHARACTERISTICS

T <sub>d</sub>	Delay Time	I <sub>CON</sub> =150mA, I <sub>BON</sub> =15mA, I <sub>B(off)</sub> =15mA	---	10	ns
t <sub>r</sub>	Rise Time		---	25	ns
t <sub>s</sub>	Storage Time		---	200	ns
t <sub>f</sub>	Fall Time		---	60	ns

\* Pulse Test: tp ≤ 300us, Duty Cycle ≤ 2.0%



Micro Commercial Components

## Ordering Information

Device	Packing
(Part Number)-BP	Bulk;100pcs/Box

**\*\*\*IMPORTANT NOTICE\*\*\***

*Micro Commercial Components Corp.* reserves the right to make changes without further notice to any product herein to make corrections, modifications, enhancements, improvements, or other changes. *Micro Commercial Components Corp.* does not assume any liability arising out of the application or use of any product described herein; neither does it convey any license under its patent rights, nor the rights of others. The user of products in such applications shall assume all risks of such use and will agree to hold *Micro Commercial Components Corp.* and all the companies whose products are represented on our website, harmless against all damages.

**\*\*\*APPLICATIONS DISCLAIMER\*\*\***

Products offer by *Micro Commercial Components Corp.* are not intended for use in Medical, Aerospace or Military Applications.