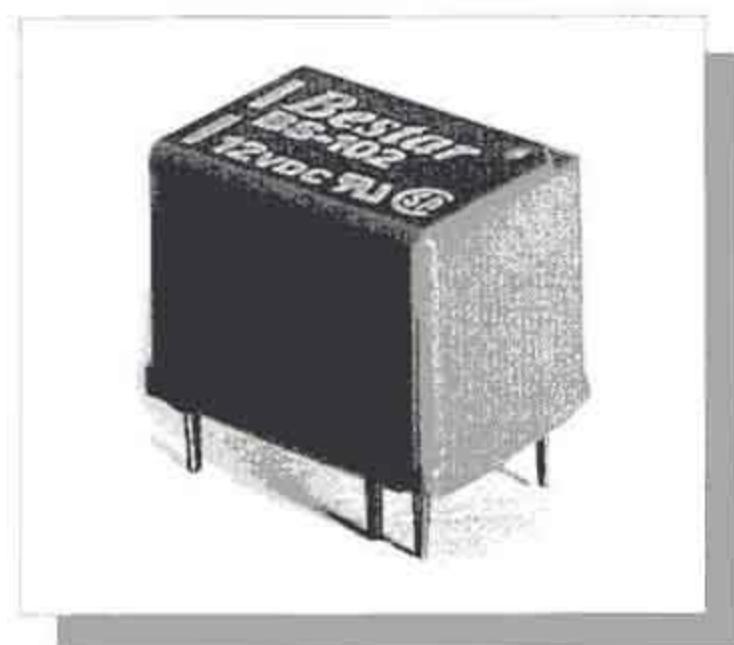


FEATURES



- Single pole Double throw (1 Form C)
- Small size (15.5 *10.5 *11.3 mm)
- Power consumption of standard type 360mW and high sensitivity type 200mW
- DIL terminal
- Application: OA equipment, Security alarm system, and Telecommunication equipment etc...
- UL File No. E147052
- CSA File No. LR76479-1



COIL RATING (at 20°C)

Type	Nominal Voltage (VDC)	Coil Resistance ($\Omega \pm 10\%$)	Nominal Current (mA)	Pick-Up Voltage (VDC)	Drop-Out Voltage (VDC)	Nominal Power (mW) Consumption
BS-102	3	25	120	2.25	0.3	360
	5	70	72	3.75	0.5	
	6	100	60	4.50	0.6	
	9	220	40	6.75	0.9	
	12	400	30	9.00	1.2	
	24	1600	15	18.00	2.4	
BS-102B	3	45	66.7	2.25	0.3	200
	5	120	44.7	3.75	0.5	
	6	180	33.3	4.50	0.6	
	9	400	22.5	6.75	0.9	
	12	700	17.1	9.00	1.2	
	24	2800	8.6	18.00	2.4	

ORDERING INFORMATION

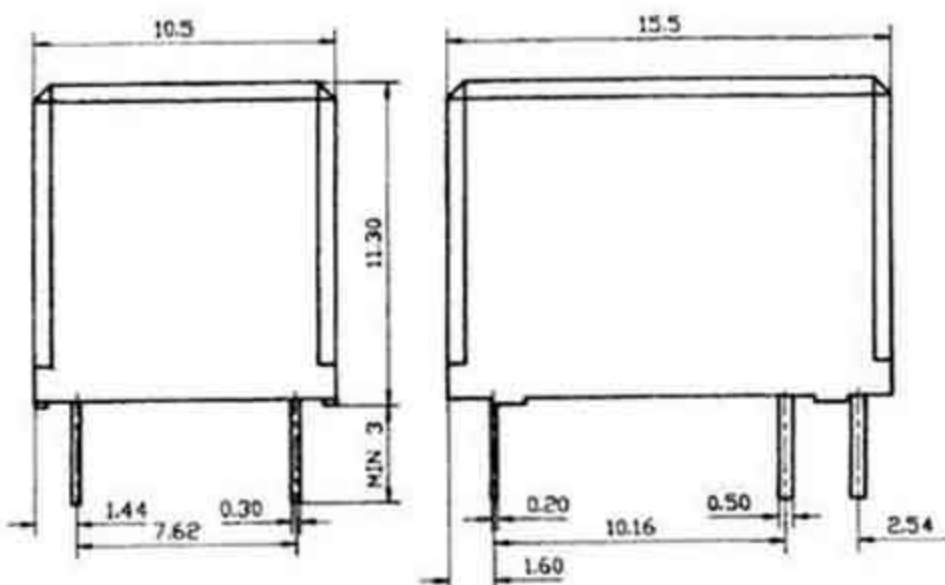
- BS-102 B S-12VDC

Coil Sensitivity	Protection	Coil Voltage
Nil: Standard 360mW B: High Sensitivity 200mW	Nil: Flux Free S: Sealed	See Coil Rating

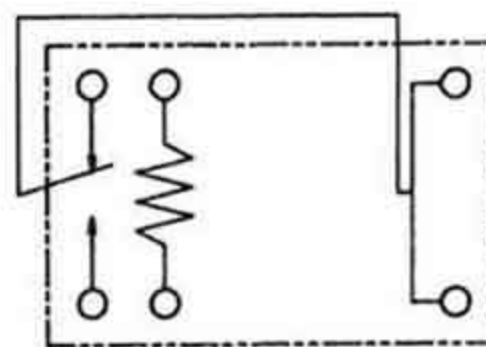
■ SPECIFICATIONS

Model No.	BS-102	BS-102B
Contact Arrangement	1 Form C	
Contact Material	Silver Alloy	
Contact Rating (at Resistive Load)	2A 24VDC 1A 120VAC	
Max. Switching Voltage	120VAC, 60VDC	
Max. Switching Current	2A	
Min. Switching Load	100mA 5VDC	
Contact Resistance	Max. 100mΩ (initial)	
Insulation Resistance	Min. 100MΩ at 500VDC	
Dielectric Strength		
Between Coil & Contact	500VAC 50 HZ/60 HZ (1 minute)	
Between Contacts	500VAC 50 HZ/60 HZ (1 minute)	
Surge Strength	1000V	
Operate Time	Max. 7mSec.	Max. 10mSec.
Release Time	Max. 6mSec.	
Ambient Temperature	-25°C ~ +50°C	
Vibration Resistance (Endurance)	1.5mm D.A. 10-55HZ	
Shock Resistance	Min. 10G Unerror	
Mechanical Life	10,000,000 Operations (no load)	
Electrical Life	100,000 Operations (at rated load)	
Weight	Approx. 3.5g	

DIMENSIONS (in mm)



WIRING DIAGRAM (Bottom View)



DRILLING PLAN (in mm) (Bottom View)

General Tolerance ± 0.3

